

**START**

**1**

**Resistor - Weerstand - Résistance - Widerstand - Resistencia - Motstand - Vastus - Resistenze**

◇ R1,R2: 47K

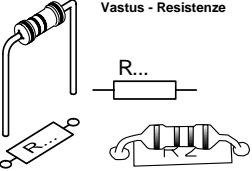
(Yellow, Purple, Orange) -(Gelb, Paars, Orange) -(Jaune, Violet, Orange) -(Gelb, Violet, Orange) -(Gel, Lila, Orange) -(Keltainen, Purppura, Oranssi) - (Amarillo, Morado, Naranja) -(Amarelo, Violeta, Laranja) - (Giallo, Viola, Aranciato)

◇ R3, ..., R14 : 220

(Red, Red, Brown) -(Rood, Rood, Bruin) -(Rouge, Rouge, Brun) -(Rot, Rot, Braun) -(Röd, Röd, Brun) -(Punainen, Punainen, Ruskea) -(Rojo, Rojo, Marrón) -(Encarnado, Encarnado, Castanho) -(Rosso, Rosso, Marrone)

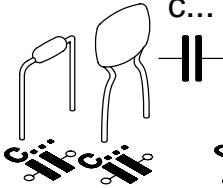
◇ R15 : 0

(Black) -(zwart) -(noir) -(Schwarz) -(Svart) -(Musta) -(Negro) -(Preto) -(Nero)



**2**

**CAPACITOR**



◇ C1 : 100nF (104)  $\mu$ 1

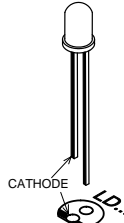
**3**

**LEDs**

0 : Yellow/Gelb/Jaune/Gelb/Gul/Keltainen/ Amarillo/Amarelo/Giallo

32,19,21,25,34,27,36,30,23,5,16,1,14,9,18,7, 12,3 : Red/Rood/Rouge/Rot/Röd/Punainen/Rojo/ Encarnado/Rosso

15,4,2,17,6,13,11,8,10,24,33,20,31,22,29,28, 35,26 : Green/Groen/Vert/Grün/Grön/Vihreä/Verde

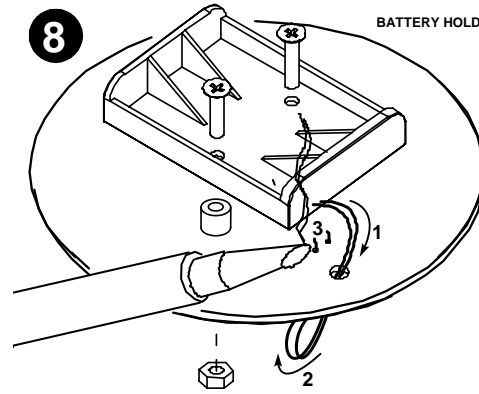


Watch the polarity !  
Att. à la polarité !



**8**

**BATTERY HOLDER**

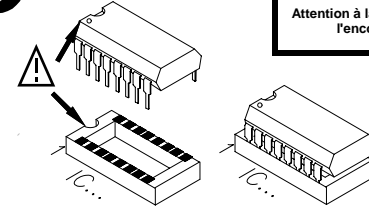


**9**

**IC**

Watch the position of the notch !

Attention à la position de l'encoche !

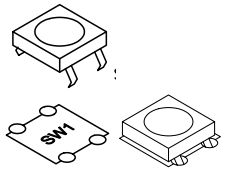


◇ IC1 : VMK119 (prog. PIC16C505)

◇ IC2 : 4N33 or eq.

**4**

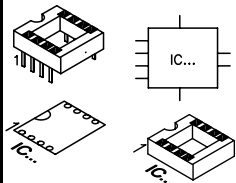
**PUSHBUTTON**



◇ SW1

**5**

**IC SOCKET**

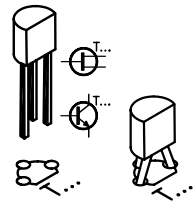


◇ IC1 : 14P

◇ IC2 : 6P

**6**

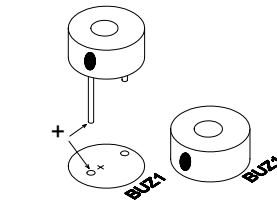
**TRANSISTOR**



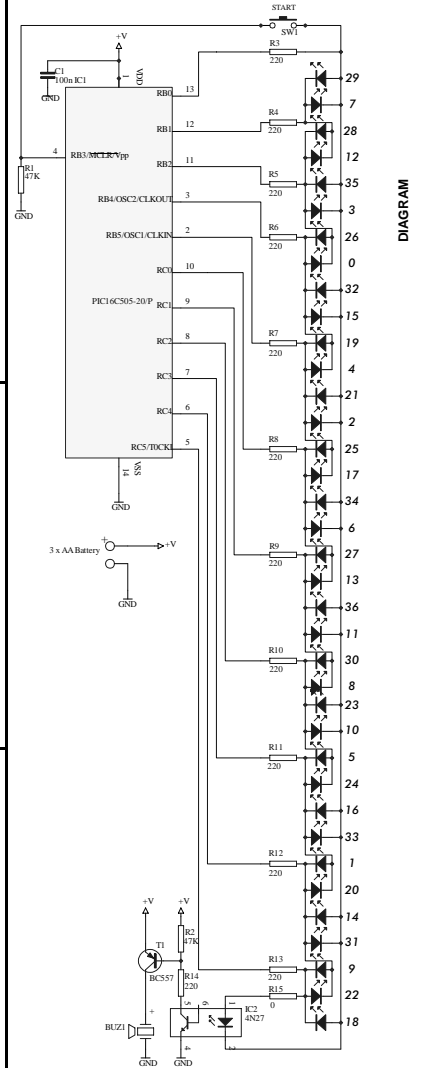
◇ T1 : BC557

**7**

**BUZZER**



◇ BUZ1



DIAGRAM