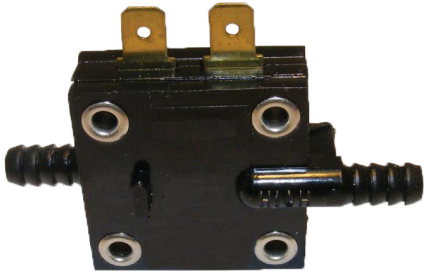


Pressure Switches

Miniature

multicomp PRO

**RoHS
Compliant**



Description

The rugged yet ultra-sensitive PSF100A pressure switch incorporates a patented dual diaphragm/dual contact design offering protection against false actuation due to shock and vibration

Features

- Patented shock and vibration resistance
- Miniature size, lightweight, low cost
- Quick response time
- Dependable long life (20+ million cycles)
- Gold contact points (dual)
- Rugged military standards (MIL-SPEC)

Specifications

Mechanical

Standard Tolerance	: ±20% (tighter tolerances available)
Switch Type	: SPST normally open, double-make / double-break
Switching Medium	: Air, compatible fluids on "High" side
Mechanical Life	: More than 20 million cycles
Proof Pressure	: 8 psi : for units where set point is 3 inches H ₂ O or less 15 psi : for units where set point is greater than 3 inches H ₂ O 8 psi : for units with PTFE diaphragm
Shock and Vibration	: At zero pressure, will not make at 50 G's shock, will not make at 10 G's, 50 to 2,000 Hz vibration
Operating Temperature	: +40°F to +150°F (standard), -46°F to +205°F (contact us)

Physical

Case Material	: Polycarbonate (other materials available)
Porting Options	: Two 200 inches diameter barbed ports (low / high) for use with 1/8 inches to 3/16 inches ID tubing
Diaphragm Material	: Polyurethane (PTFE optional)
Contact Points	: Gold (dual)
Electrical Connections	: Terminals - 0.187 inches × 0.02 inches tab-type, for use with quick disconnects (reference AMP 2-520182-2 or equivalent)
Mounting	: Eyeleted for #2 screws; mounting clip or bracket available
Weight	: Less than 10g

Electrical

Current Rating	: 40mA resistive for life in excess of 20 million cycles
Operating Voltage	: 30V AC / DC or less with resistive load; 120V AC neon lamp load

Note : For high load capabilities contact design flex for our SRF solid state relay

Newark.com/multicomp-pro
Farnell.com/multicomp-pro
Element14.com/multicomp-pro

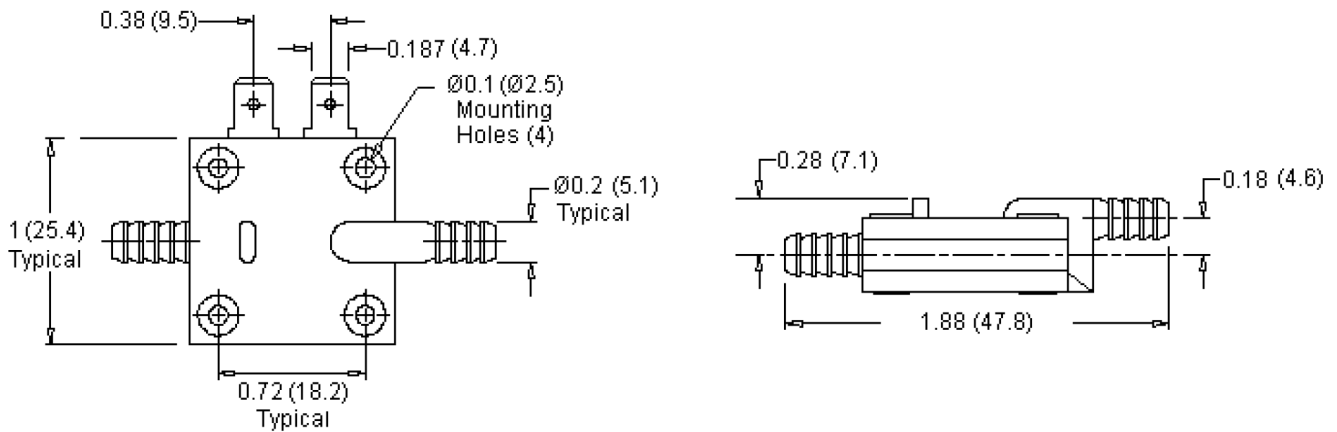
multicomp PRO

Pressure Switches

Miniature

multicomp PRO

Diagram



Dimensions : Millimetres

Specification Table

Inches H ₂ O	mbar	psi	Part Number
0.1 to 0.5	0.25 to 1.25	0.004 to 0.018	PSF100A-0.5
1.5	3.73	0.054	PSF100A-1.5
3	7.46	0.108	PSF100A-3.0
6	14.92	0.217	PSF100A-6.0
10	24.86	0.361	PSF100A-10.0
15	37.3	0.541	PSF100A-15.0
50	124.32	1.804	PSF100A-50.0

Important Notice : This data sheet and its contents (the "Information") belong to the members of the AVNET group of companies (the "Group") or are licensed to it. No licence is granted for the use of it other than for information purposes in connection with the products to which it relates. No licence of any intellectual property rights is granted. The Information is subject to change without notice and replaces all data sheets previously supplied. The Information supplied is believed to be accurate but the Group assumes no responsibility for its accuracy or completeness, any error in or omission from it or for any use made of it. Users of this data sheet should check for themselves the Information and the suitability of the products for their purpose and not make any assumptions based on information included or omitted. Liability for loss or damage resulting from any reliance on the Information or use of it (including liability resulting from negligence or where the Group was aware of the possibility of such loss or damage arising) is excluded. This will not operate to limit or restrict the Group's liability for death or personal injury resulting from its negligence. Multicomp Pro is the registered trademark of Premier Farnell Limited 2019.

Newark.com/multicomp-pro
 Farnell.com/multicomp-pro
 Element14.com/multicomp-pro

multicomp PRO