

# 100W DALI & Push Dimmable LED Drivers

**multicomp** PRO



## Features

- Slimline Constant Voltage Driver
- Flicker Free
- AC input: 200V AC to 240V AC
- Built in PFC Function
- Efficiency up to 85%
- Protections: short circuit/ over loading/ over current
- Full protection plastic housing easy installation
- Cooling by free air convection
- Suitable for profile lighting and lightboxes

**RoHS  
Compliant**

Models	MP007746	MP007747
<b>Output Specifications</b>		
Output Voltage	12V	24V
Voltage Tolerance	± 0.5%	
Output Current	8.34A	4.17A
Rated Power	100W	
<b>Input Specifications</b>		
Input Voltage	200V AC to 240V AC	
Frequency Range	47Hz to 63Hz	
Inrush Current	59A (Twidth=210µs 230V AC)	
Full Load Efficiency (Typ.)	87%	86.4%
AC Current (Max.)	0.8A	
Power Factor	PF>0.99/230VAC (Full Loading)	
<b>Protection</b>		
Short Circuit	Constant current mode, recovers automatically after fault condition is removed	
Over Loading	≤120% constant current limiting, recovers automatically after fault condition is removed	
Over Temperature	100°C ±10°C	
Protection Class	I	
<b>Environment</b>		
Working Temperature	-40 to +60°C (Refer to derating curve)	
Working Humidity	20% to 95%	
<b>Safety &amp; EMC</b>		
Storage Temperature, Humidity	-40°C to +80°C, 10% RH to 95% RH	
Temperature Coefficient	±0.03%/°C (0°C to 50°C)	
Vibration	10Hz to 500Hz, 5G 10min./ 1 cycle, period for 60min.each along X, Y, Z axes	
Safety standards	EN61347-1, EN61347-2-13, EN62493, IP66	
Withstand voltage	I/P-O/P:3.75KV AC I/P-FG:1.88KVAC O/P-FG:0.5KV AC	
Isolation resistance	I/P-O/P I/P-FG O/P-FG: 100MΩ/500VDC/25°C/70%RH	
EMC Emission	Compliance to EN55015, EN61000-3-2, EN61000-3-3 (≥60% load)	
EMC Immunity	Compliance to EN61000-4-2,3,4,5,6,11, EN61547	

Newark.com/multicomp-pro  
Farnell.com/multicomp-pro  
Element14.com/multicomp-pro

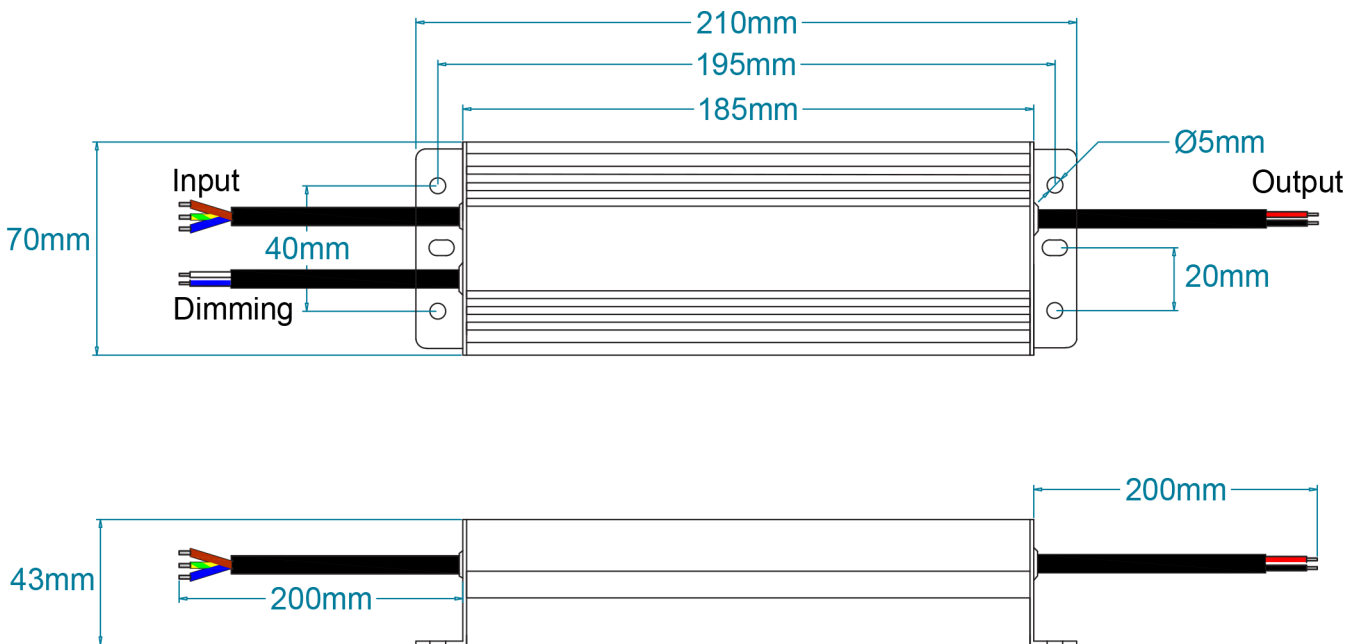
**multicomp** PRO

# 100W DALI & Push Dimmable LED Drivers

**multicomp** PRO

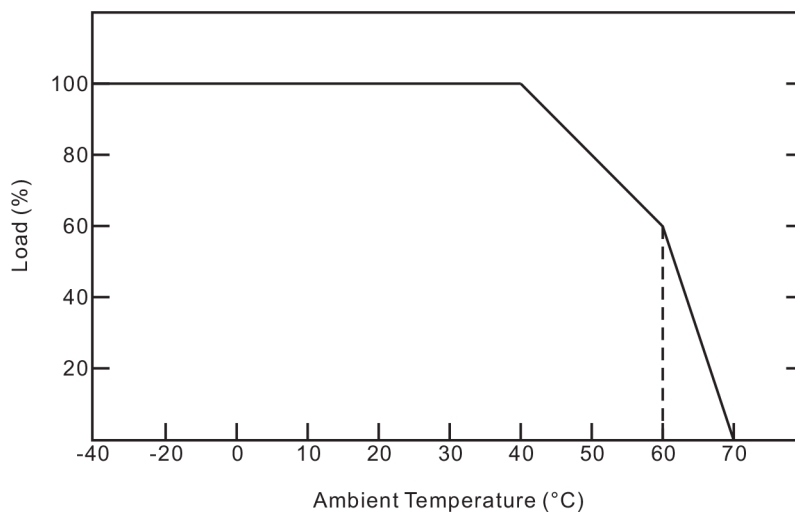
Models	MP007746	MP007747
<b>Other Specifications</b>		
Weight	1.05 Kg	
Size	210mm × 70mm × 43mm	
Packing	340mm × 275mm × 170mm (10PCS/CTN, 11.5 Kg/CTN))	

## Mechanical Specification



Dimensions : Millimetres

## Derating Curve



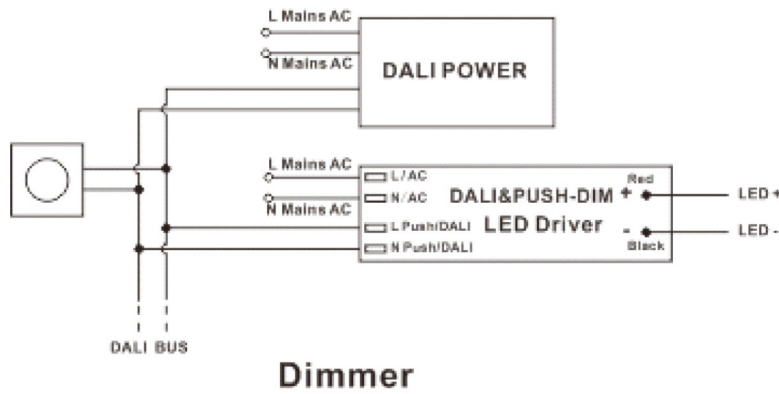
Newark.com/multicomp-pro  
 Farnell.com/multicomp-pro  
 Element14.com/multicomp-pro

**multicomp** PRO

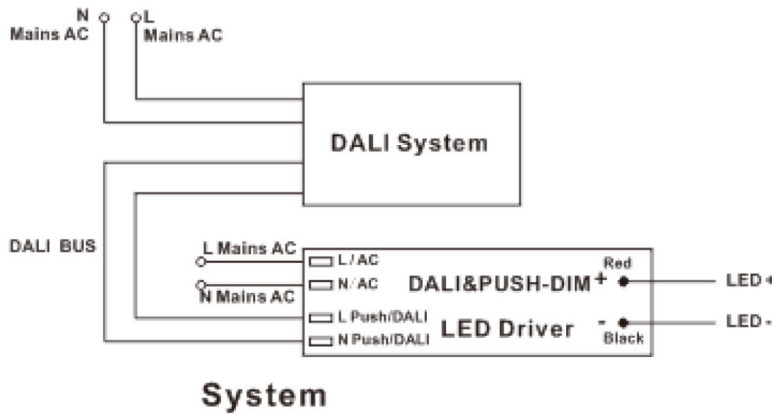
# 100W DALI & Push Dimmable LED Drivers

## Dimming Operation

DALI Dimming Wiring Diagram1



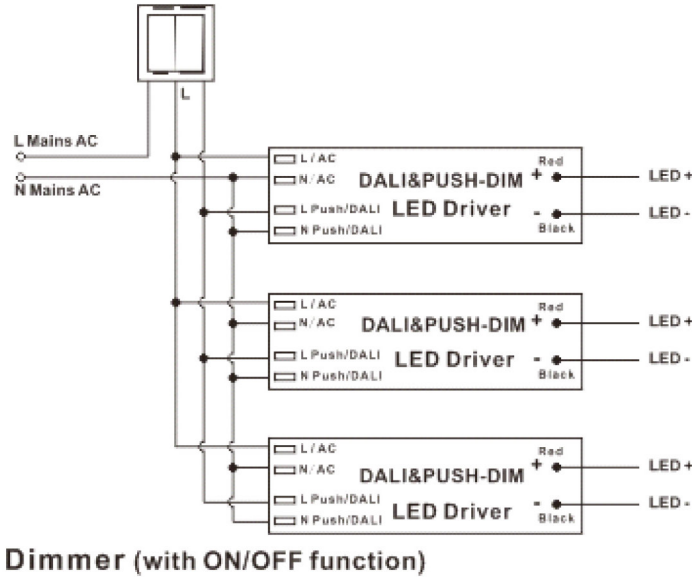
DALI Dimming Wiring Diagram2



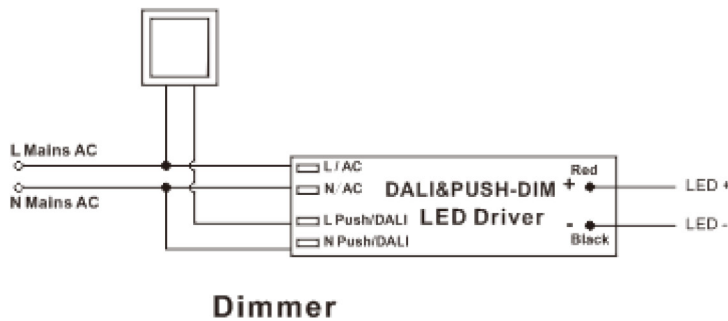
# 100W DALI & Push Dimmable LED Drivers



Push-Dimming Wiring Diagram 1



Push-Dimming Wiring Diagram 2



## Part Number Table

Description	Part Number
DALI & Push Dimmable LED Driver, 100W, 12V, IP66	MP007746
DALI & Push Dimmable LED Driver, 100W, 24V, IP66	MP007747

**Important Notice :** This data sheet and its contents (the "Information") belong to the members of the AVNET group of companies (the "Group") or are licensed to it. No licence is granted for the use of it other than for information purposes in connection with the products to which it relates. No licence of any intellectual property rights is granted. The Information is subject to change without notice and replaces all data sheets previously supplied. The Information supplied is believed to be accurate but the Group assumes no responsibility for its accuracy or completeness, any error in or omission from it or for any use made of it. Users of this data sheet should check for themselves the Information and the suitability of the products for their purpose and not make any assumptions based on information included or omitted. Liability for loss or damage resulting from any reliance on the Information or use of it (including liability resulting from negligence or where the Group was aware of the possibility of such loss or damage arising) is excluded. This will not operate to limit or restrict the Group's liability for death or personal injury resulting from its negligence. DURATOOL is the registered trademark of Premier Farnell Limited 2019.

