

Float Switch

Stainless Steel - Horizontal

multicomp PRO



Specifications:

Technical Data:

Electrical Connection	: Wires AWG22, stripped + tinned
Mechanical Connection	: M10
Guide Tube	: ϕ 8mm, stainless steel
Float	: Cylinder ϕ 28, 4mm, stainless steel
Temperature Range	: -40 to +125°C
Protecting Rating	: IP67
Maximum Static Pressure	: 10 bar
Output Current	: 500mA
Contact Voltage AC Max	: 300V
Contact Voltage DC Max	: 350V
Float Dia	: 28.4mm
Pressure Max	: 10 bar
Switch Operation	: NO
DC Power	: 50W
Average Float-Gravity	: 0,7g/cm ³
Minimum Gravity of Medium	: 0,8g/cm ³
Mounting Attitude	: Side mounted
Surface Treatment	: Mechanical polished
Sealing	: Silicone

Variants:

Electrical	: 3	: 10W, 200V DC, 0,5A
	:	10VA, 140V AC.
	: 6	: 50W, 350V DC, 0,5A
	:	70VA, 300V AC
Switch Circuits on Rising Level	: A	: norm. open (form A)
	: B	: norm. closed (form B)
Stainless Steel Type	:	SUS304 (1.4301)

Float Switch

Stainless Steel - Horizontal

multicomp PRO

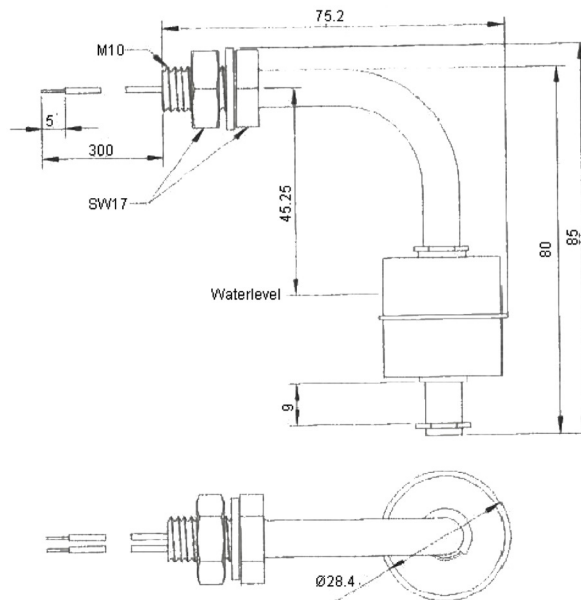
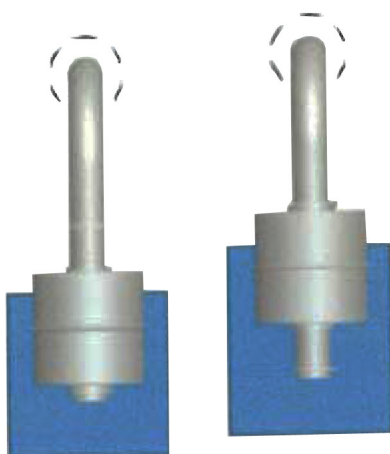
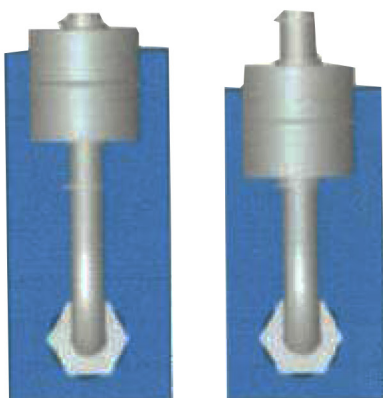
Customized types available.



Mount mark down for form A up for form B

Form A: Open
Form B: Closed

Closed
Open



Dimensions : Millimetres

Part Number Table

Description	Part Number
Float Switch, NO, S/Steel, Horiz	MCPLS-080A-6VAL

Important Notice : This data sheet and its contents (the "Information") belong to the members of the AVNET group of companies (the "Group") or are licensed to it. No licence is granted for the use of it other than for information purposes in connection with the products to which it relates. No licence of any intellectual property rights is granted. The Information is subject to change without notice and replaces all data sheets previously supplied. The Information supplied is believed to be accurate but the Group assumes no responsibility for its accuracy or completeness, any error in or omission from it or for any use made of it. Users of this data sheet should check for themselves the Information and the suitability of the products for their purpose and not make any assumptions based on information included or omitted. Liability for loss or damage resulting from any reliance on the Information or use of it (including liability resulting from negligence or where the Group was aware of the possibility of such loss or damage arising) is excluded. This will not operate to limit or restrict the Group's liability for death or personal injury resulting from its negligence. Multicomp Pro is the registered trademark of Premier Farnell Limited 2019.

Newark.com/multicomp-pro
Farnell.com/multicomp-pro
sg.element14.com/b/multicomp-pro

multicomp PRO